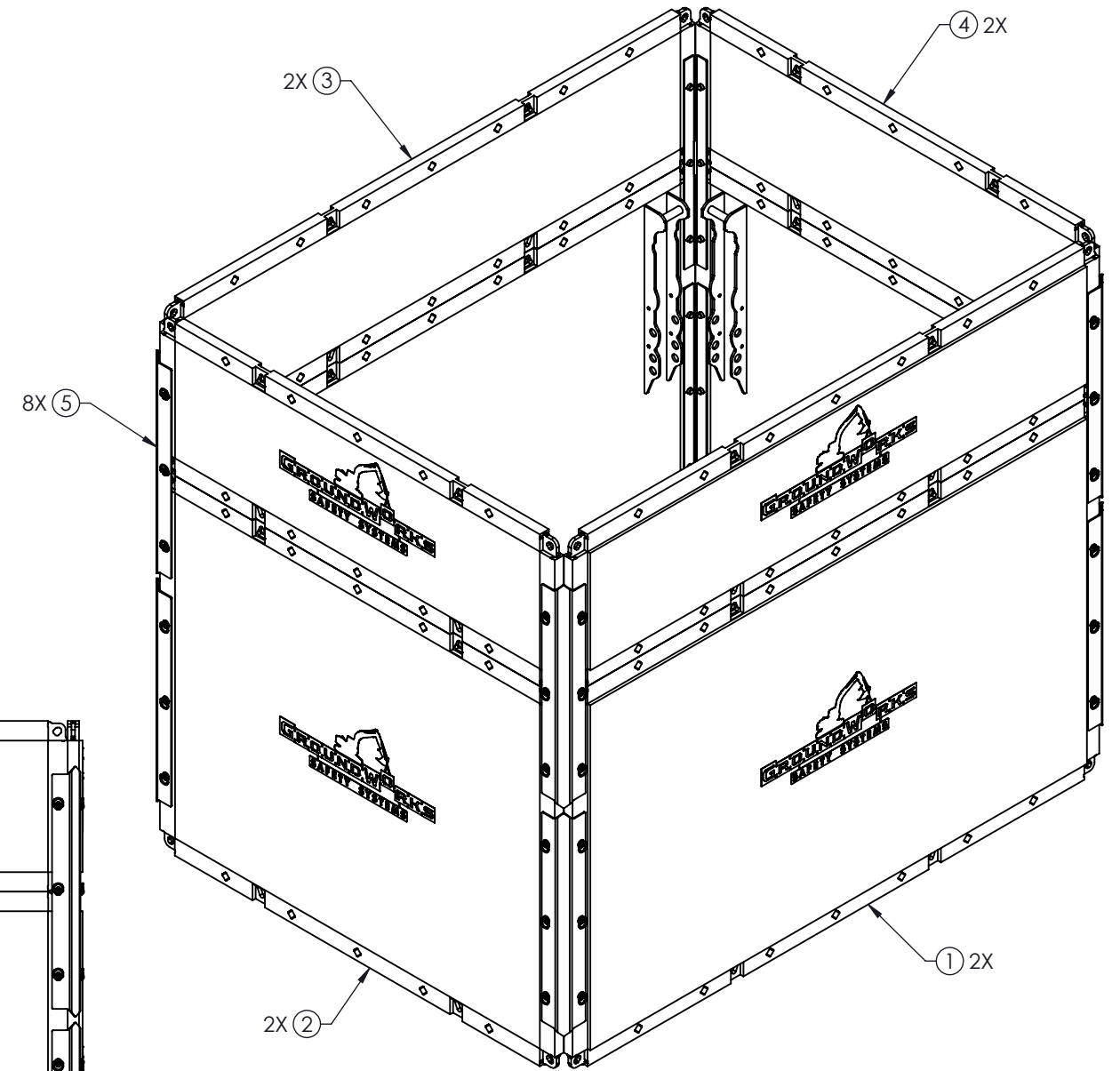
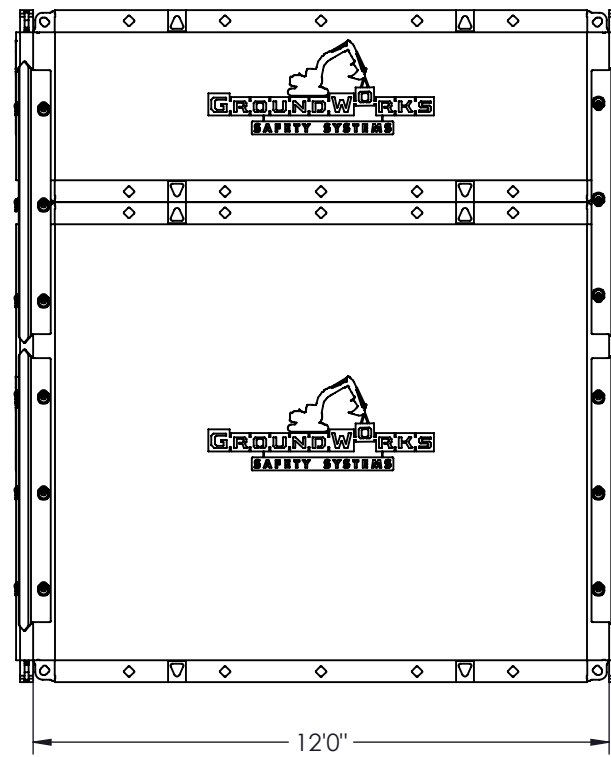
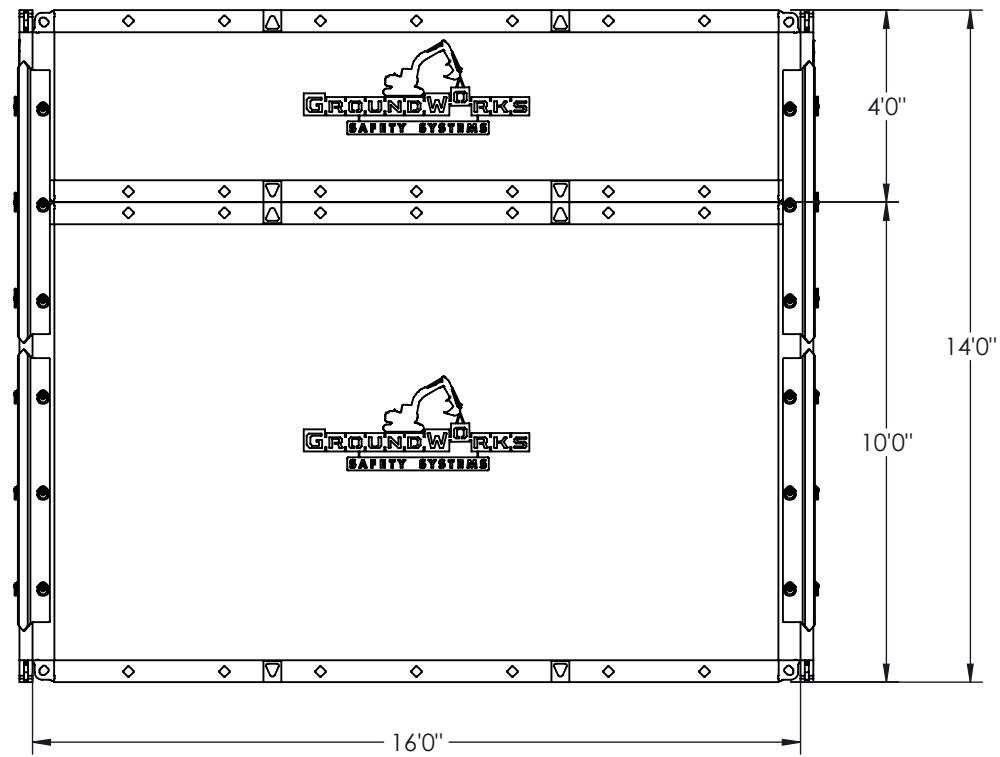
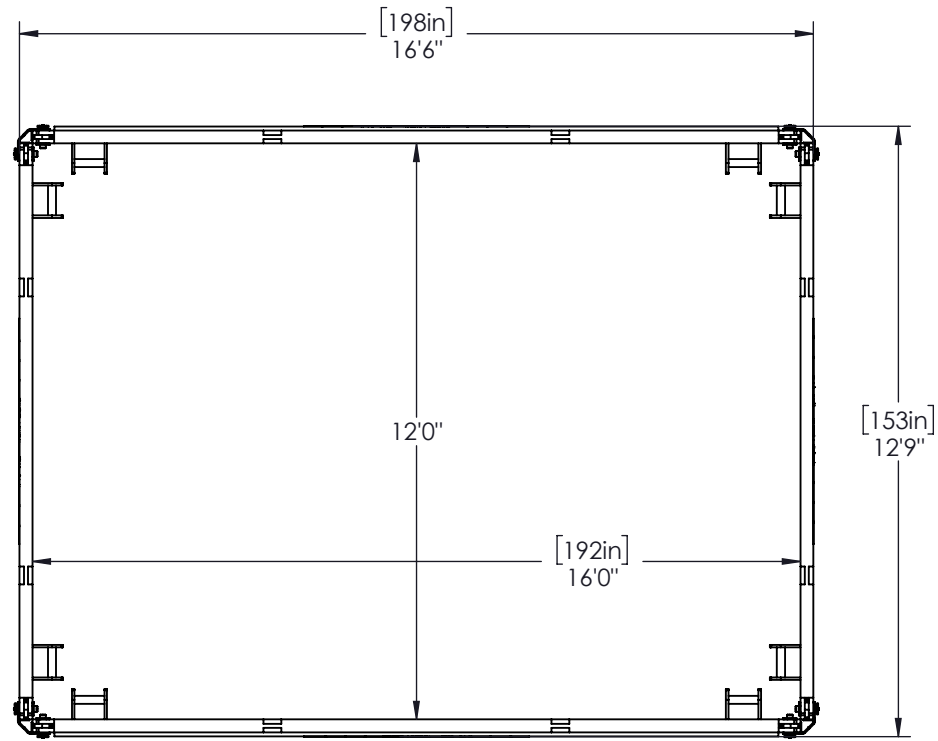



ITEM	Part Config	DESCRIPTION	Config	QTY.	Weight
1	MMB-1016	10'x16' Medium Duty Panel	MM 10X16	2	3710
2	MMB-1012	10'x12' Medium Duty Panel	MM 10X12	2	2740
3	MMB-0416	4'x16' Medium Duty Panel	MM 4X16	2	1420
4	MMB-0412	4'x12' Medium Duty Panel	MM 4X12	2	1010
5	AMB22-6	6-Foot Corner Connectors	6 PIN	8	330



NOTICE OF CONFIDENTIALITY:
 INFORMATION INCLUDED IN THIS DRAWING
 IS PROPRIETARY, AND IS NOT TO BE
 REPRODUCED, DISTRIBUTED, OR DISCLOSED
 EXCEPT AS SPECIALLY AUTHORIZED IN
 WRITING BY GROUNDWORKS SAFETY
 SYSTEMS INC.

SCALE: 1:57
 DATE: 2025-10-09
 WEIGHT: 20400 lbs

 4207 53rd Street, Close, Innisfail, Alberta, T4G 1P9
 DWG TITLE: MM10X16 16LX12WX14D_PIT KIT